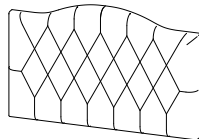


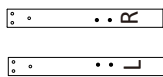
52002 TWIN BED

E1340034, E1340035, E1340036

Components



A X 1 pc



B X 1 set



C X 1 pc



D X 2 pcs



E X 2 sets

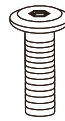


F X 2 pcs



G X 2 pcs

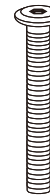
Hardware



J
M8X20
8 pcs



K
M6X25
8 pcs



L
M6X50
6 pcs



N
M4X32
8 pcs



O
M6
14 pcs



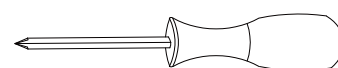
P
M6
14 pcs



Q
M4
1 pc



R
M5
1 pc



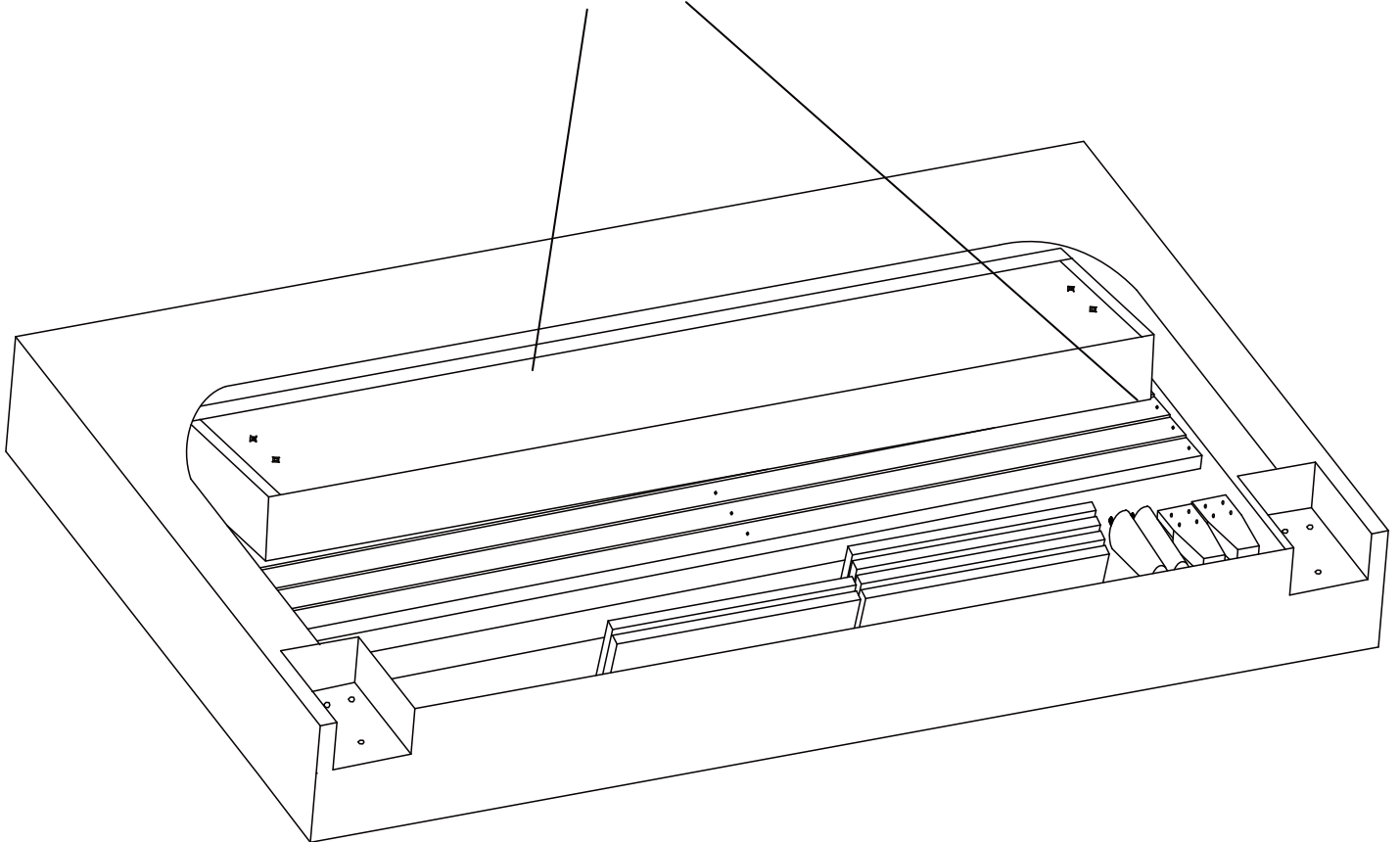
PHILLIPS SCREWDRIVER
REQUIRED
(NOT INCLUDED)

PLEASE CONTACT US FOR RETURNS AND OTHER QUESTIONS

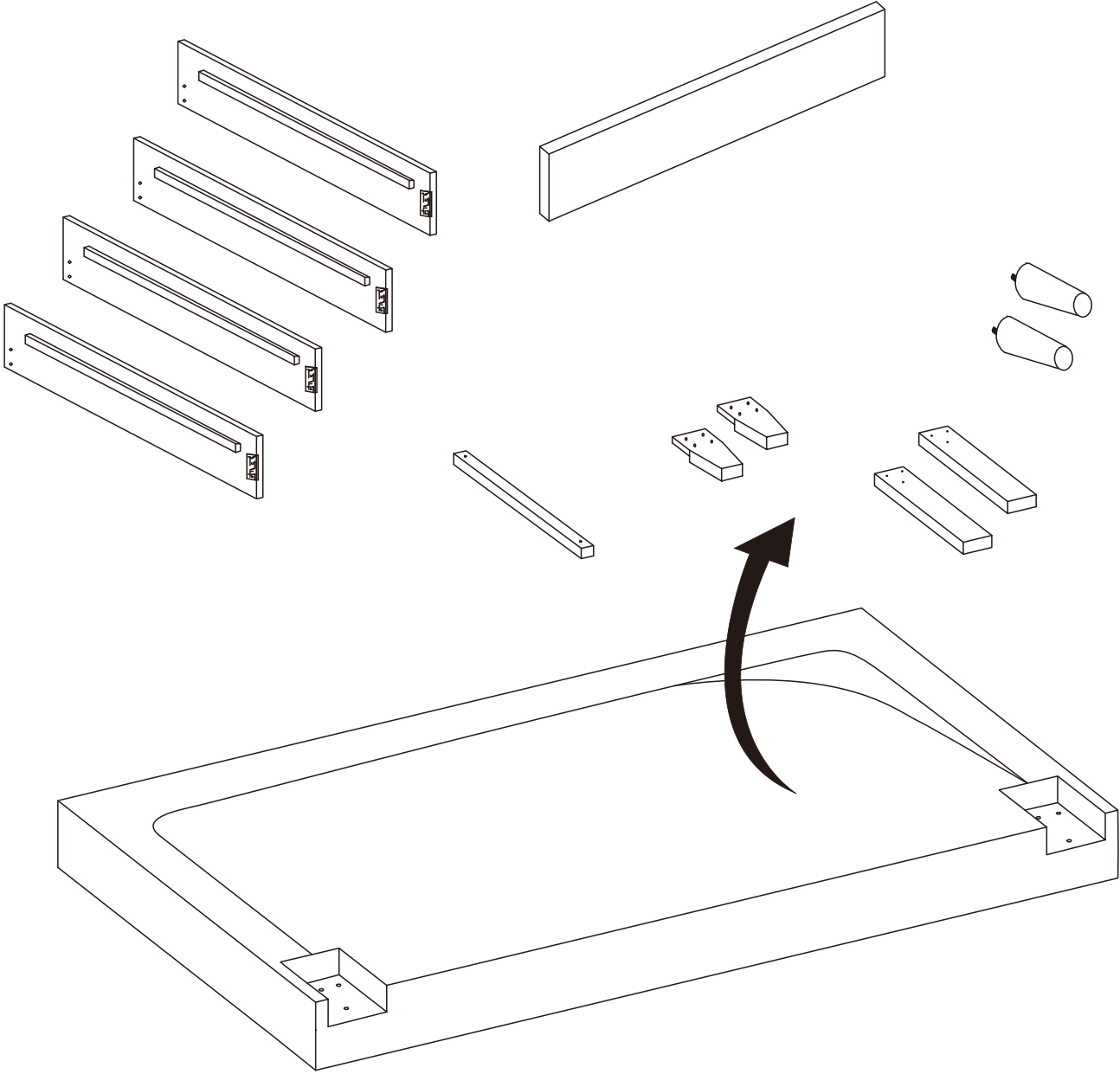
Email our support team at: orders@rizebeds.com

Or call us at: 844-545-8865

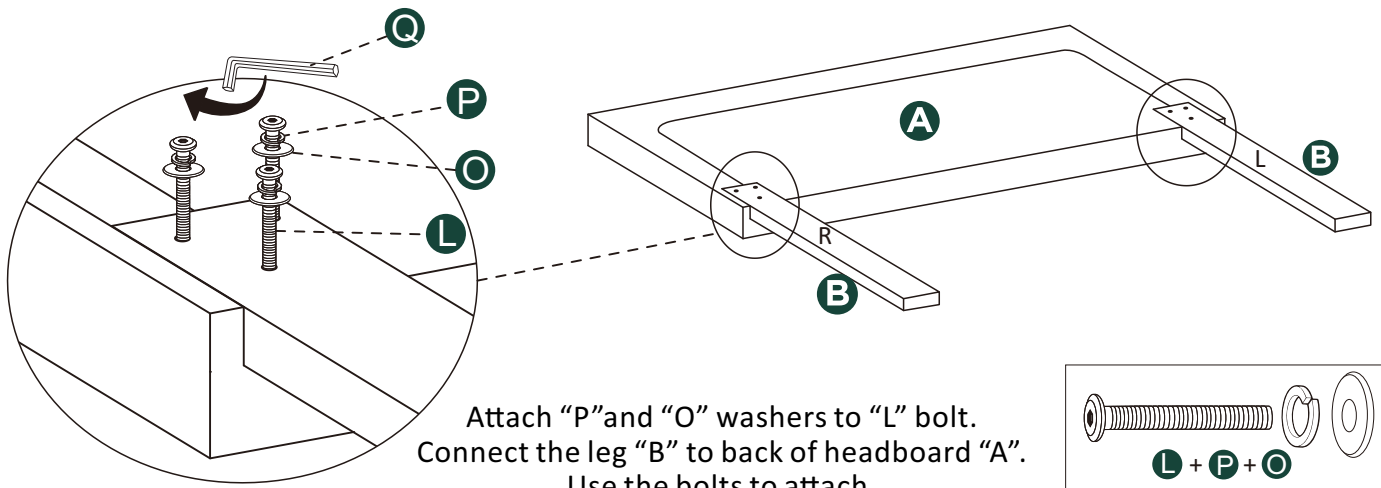
Parts are inside the headboard
in the compartment located
on the back of the headboard



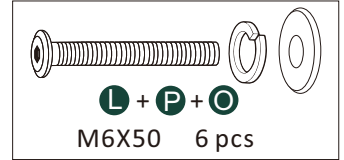
Remove parts from headboard compartment



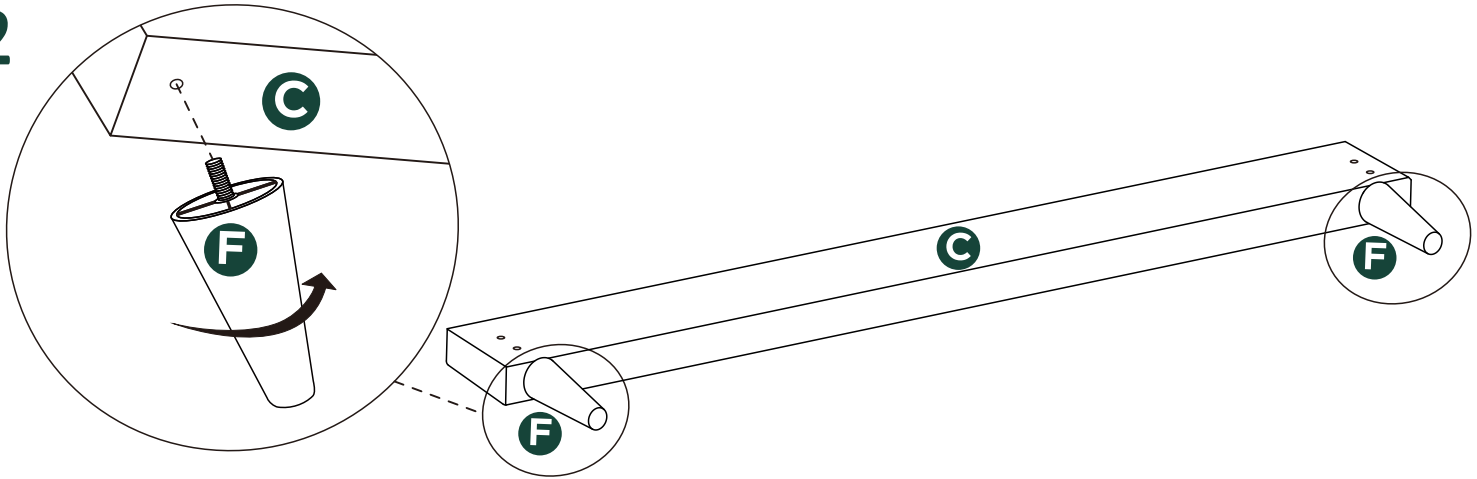
1



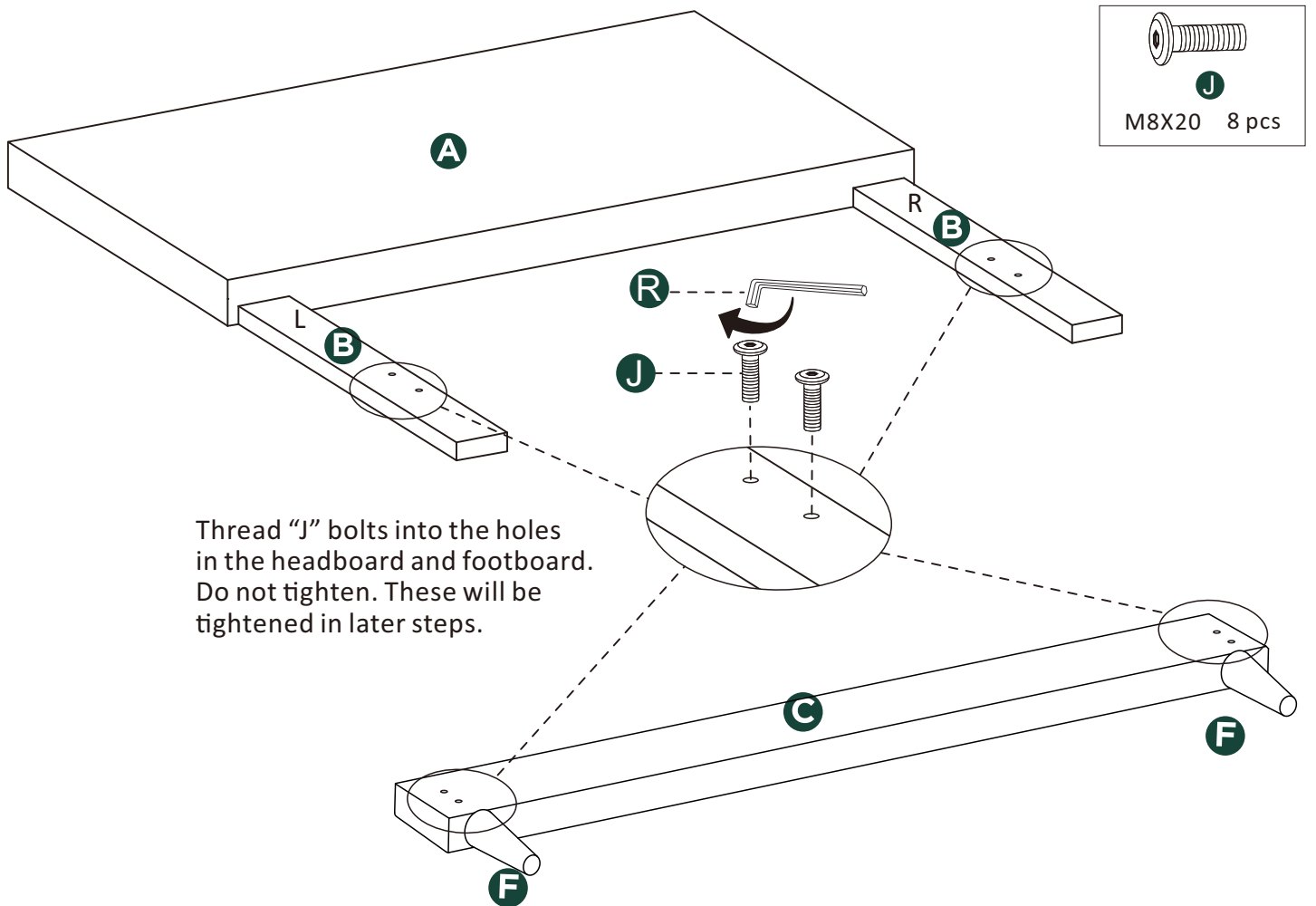
Attach "P" and "O" washers to "L" bolt.
Connect the leg "B" to back of headboard "A".
Use the bolts to attach.



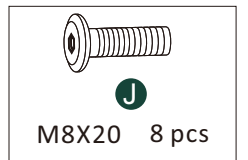
2



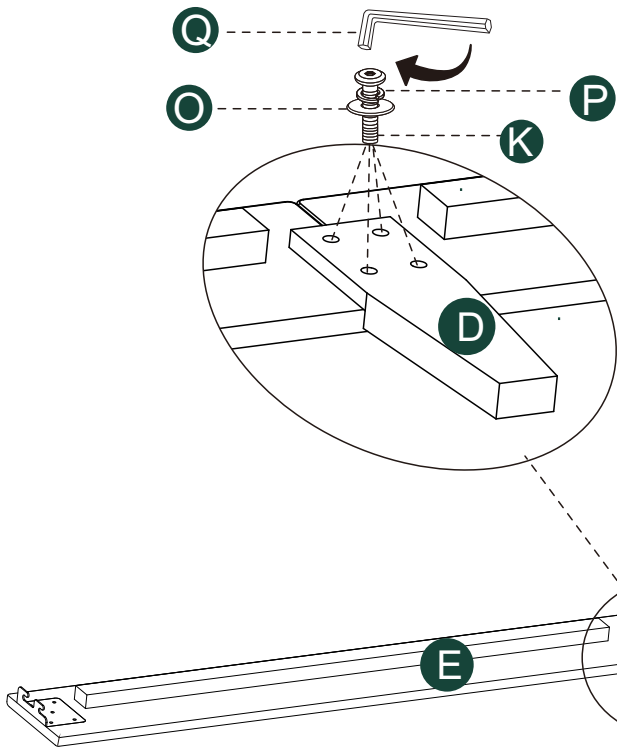
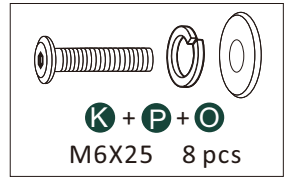
3



Thread "J" bolts into the holes
in the headboard and footboard.
Do not tighten. These will be
tightened in later steps.

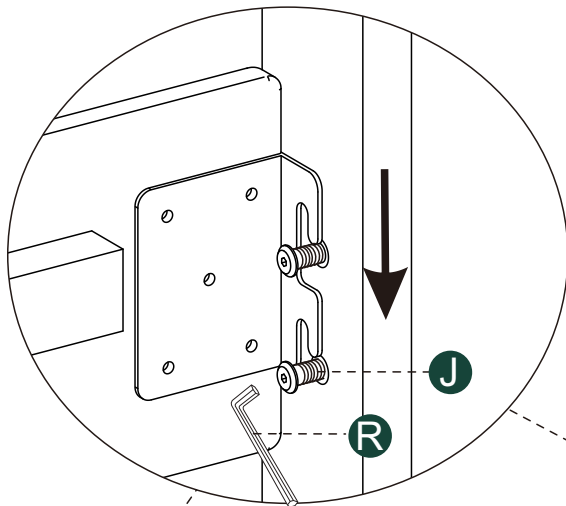


4

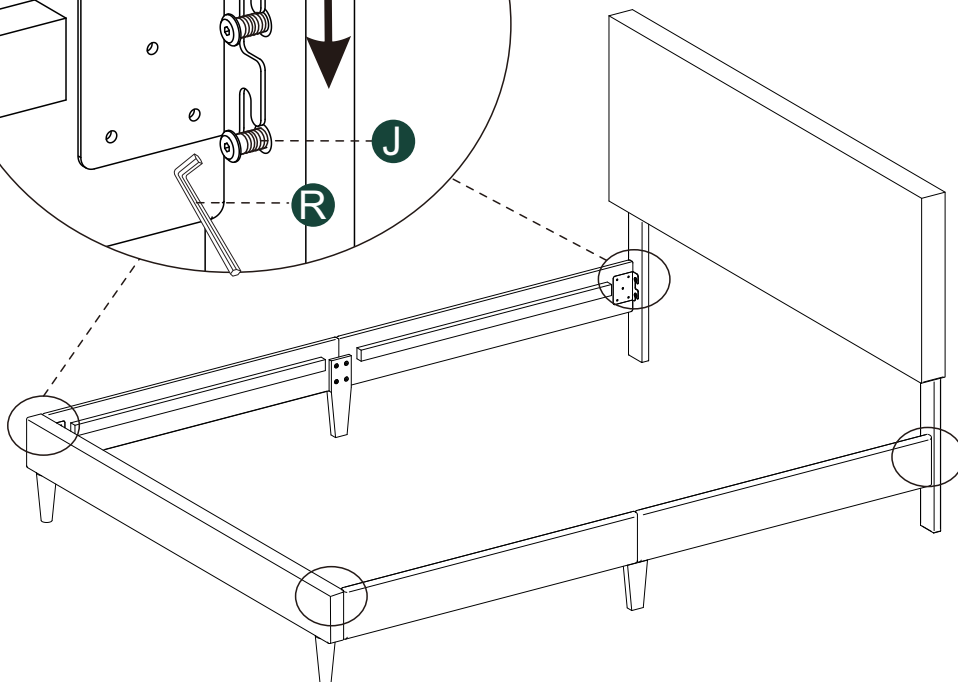


Attach "P" and "O" washers to "K" bolt.
Connect the top and bottom of
each side rail with a "D" side leg.
Use the bolts to attach.

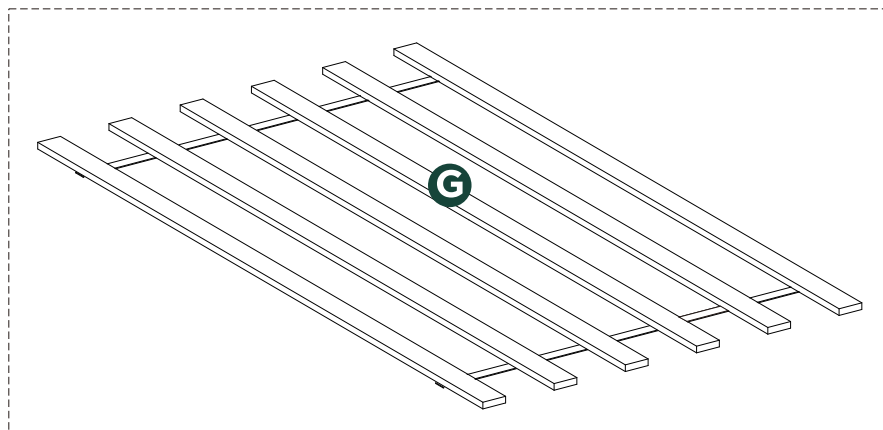
5



Hang the hooks at the ends of the side rails
onto the "J" bolts in the headboard leg and
the footboard. Tighten the "J" bolt so the
rails are secure.

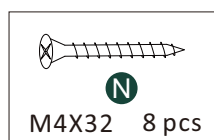
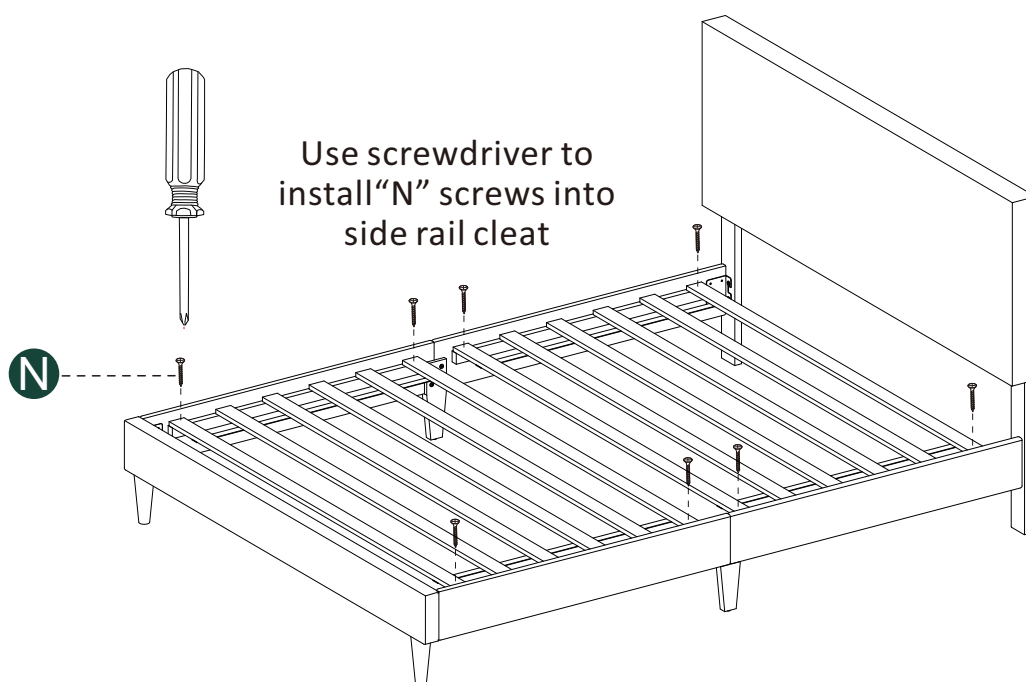


6



First, place the slats roll into the frame of the bed, then extend the slats as shown below.

7



FOR ADDITIONAL HELP:

Contact our support team at: orders@rizebeds.com

Or call us at: 844-545-8865

CAUTION:

Do not attempt to move the bed when fully assembled. This could result in damage to the rails, headboard, or footboard.

When placing furniture on non-carpeted flooring, we recommend the use of floor protection such as an area rug or furniture pads. Area rugs and padding not included with purchase.