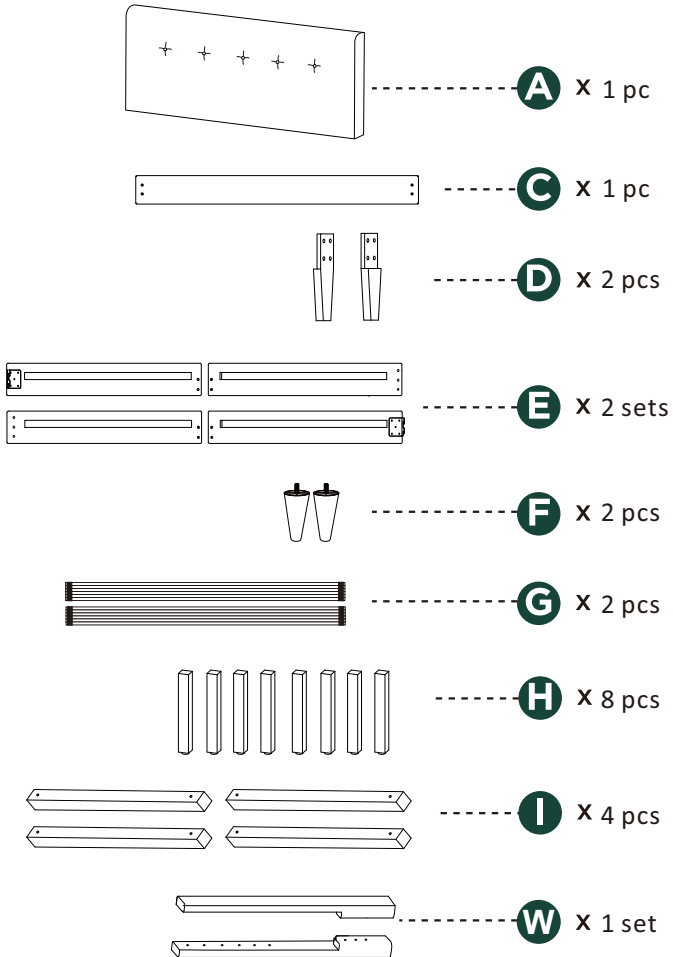


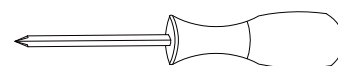
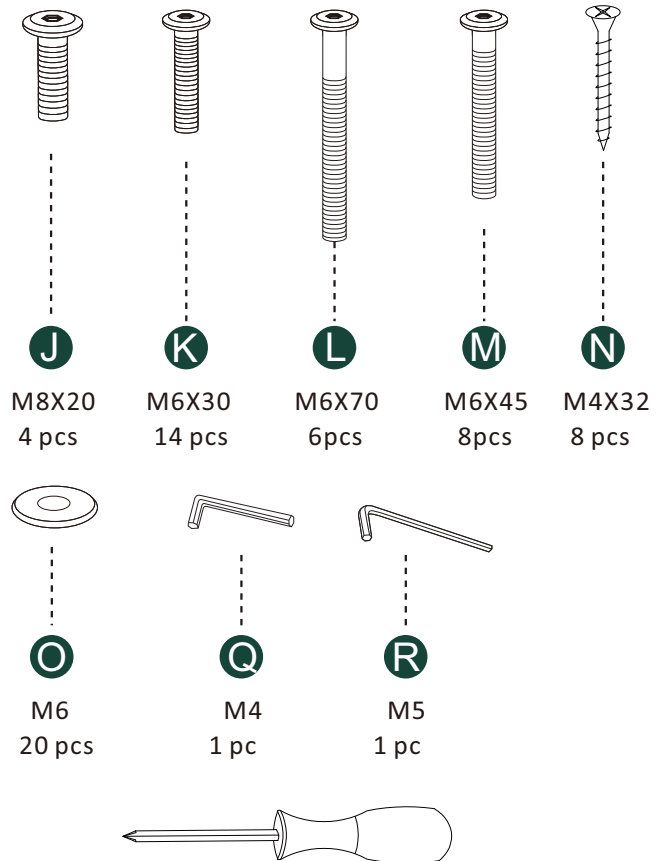
## 52008 KING BED

E1340073, E1340074, E1340075

### Components



### Hardware



PHILLIPS SCREWDRIVER  
REQUIRED  
(NOT INCLUDED)

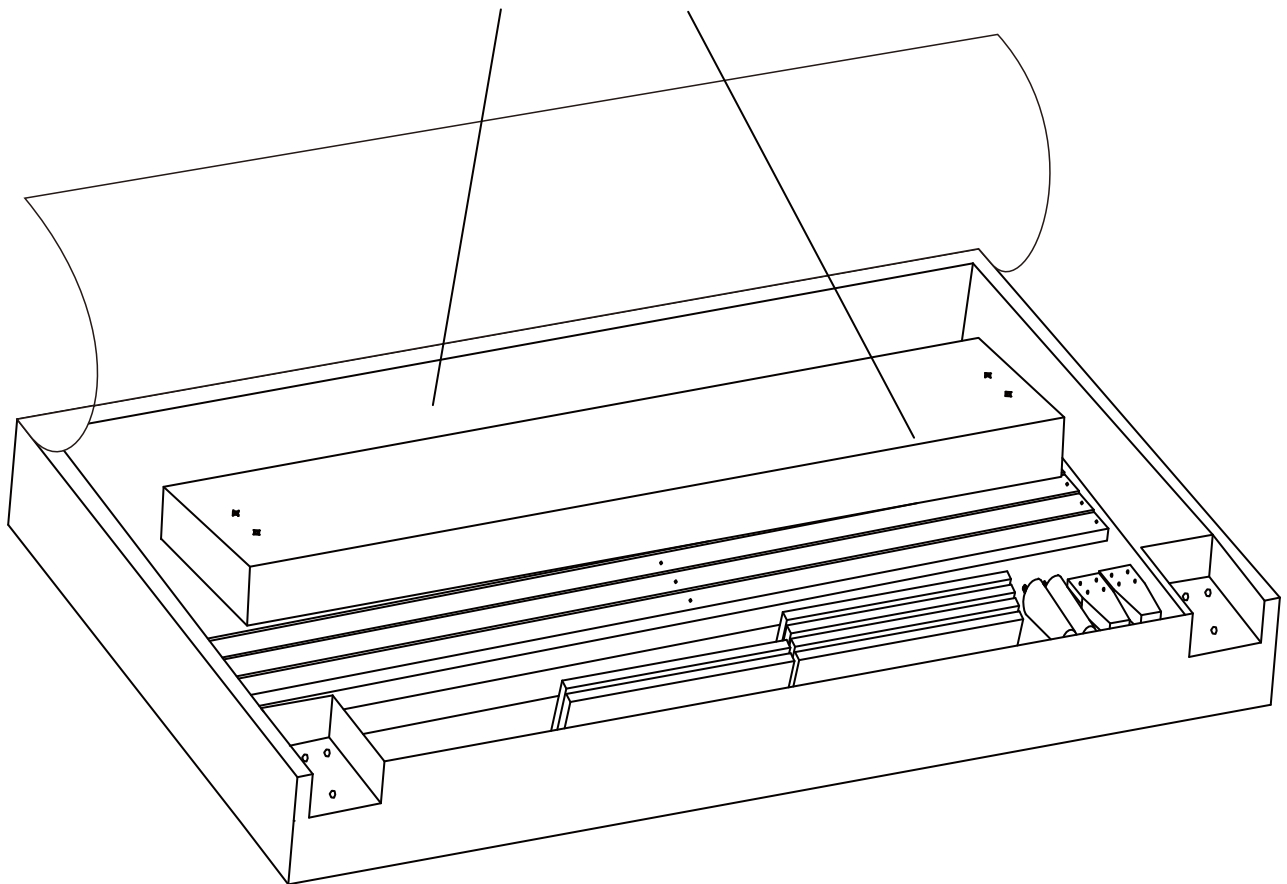
# PLEASE CONTACT US FOR RETURNS AND OTHER QUESTIONS

---

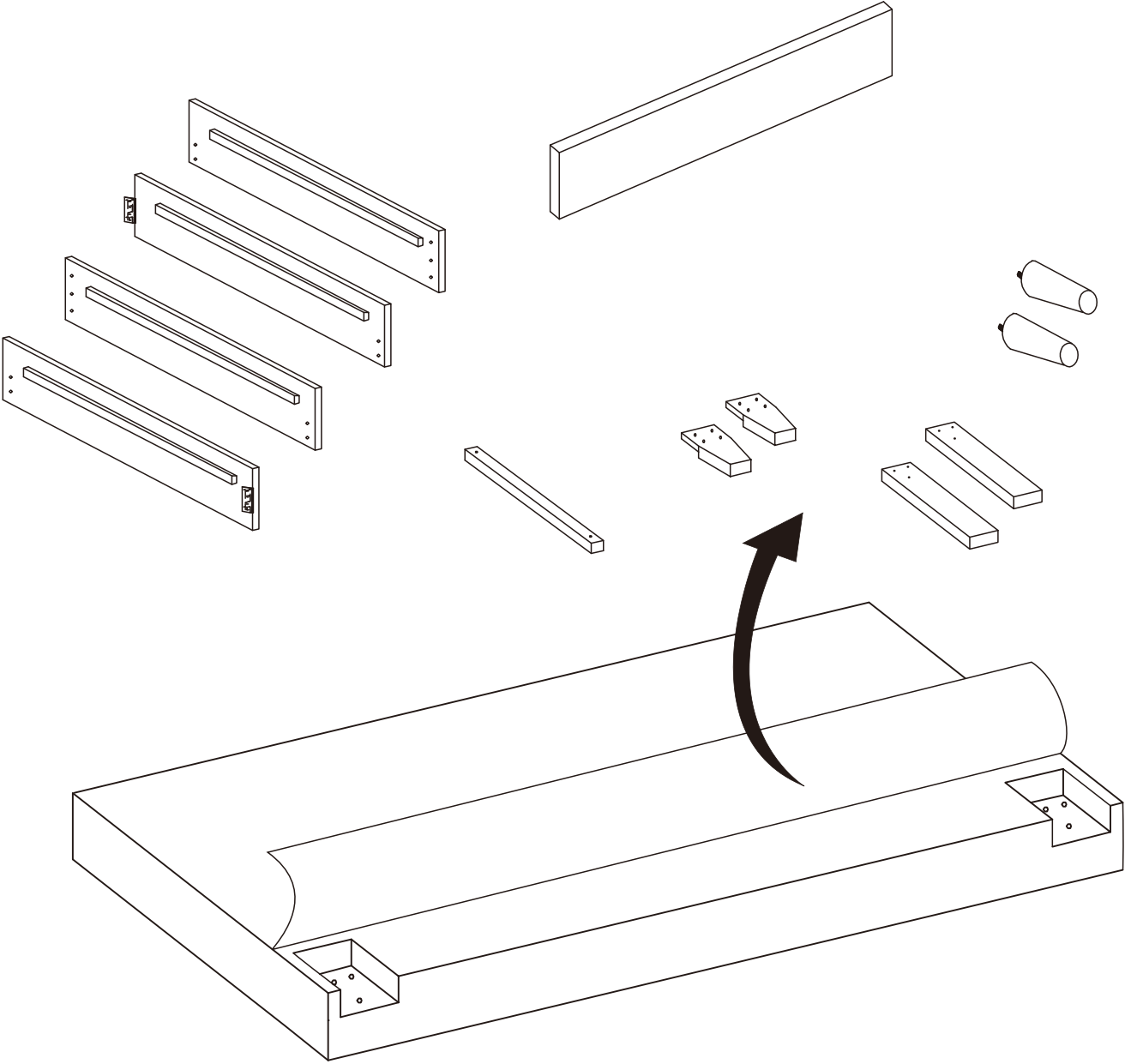
Email our support team at: [orders@rizebeds.com](mailto:orders@rizebeds.com)

Or call us at: 844-545-8865

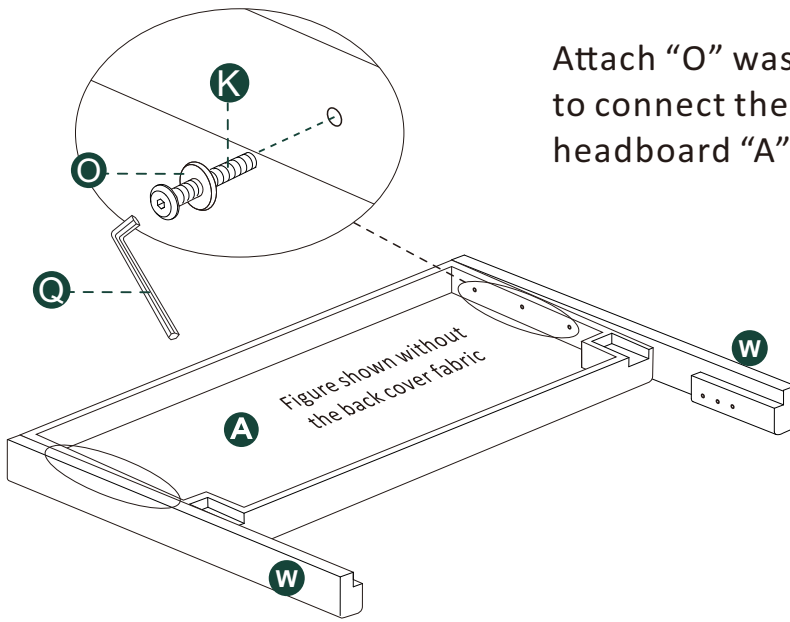
Parts are inside the headboard  
in the compartment located  
on the back of the headboard



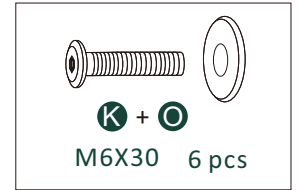
# Remove parts from headboard compartment



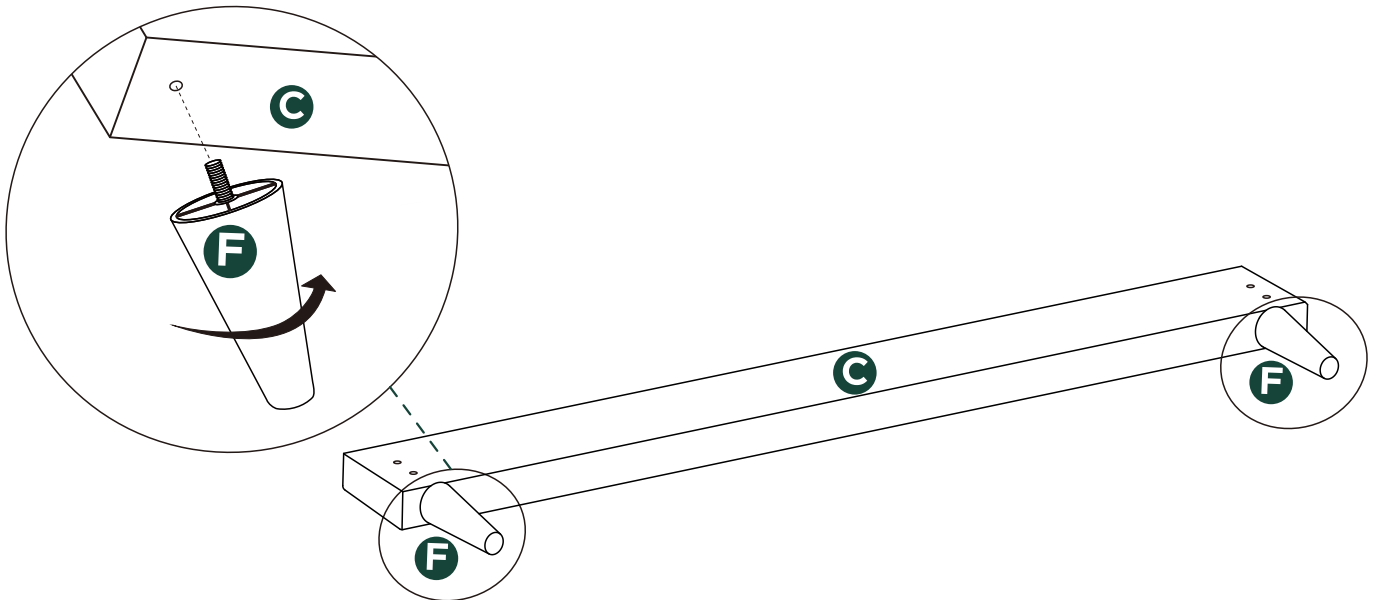
# 1



Attach "O" washer to "K" bolt. Use the "K" bolts to connect the wing "W" to the ends of the headboard "A". Tighten the "K" bolts.

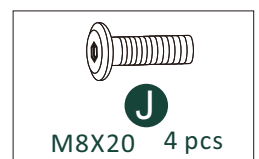
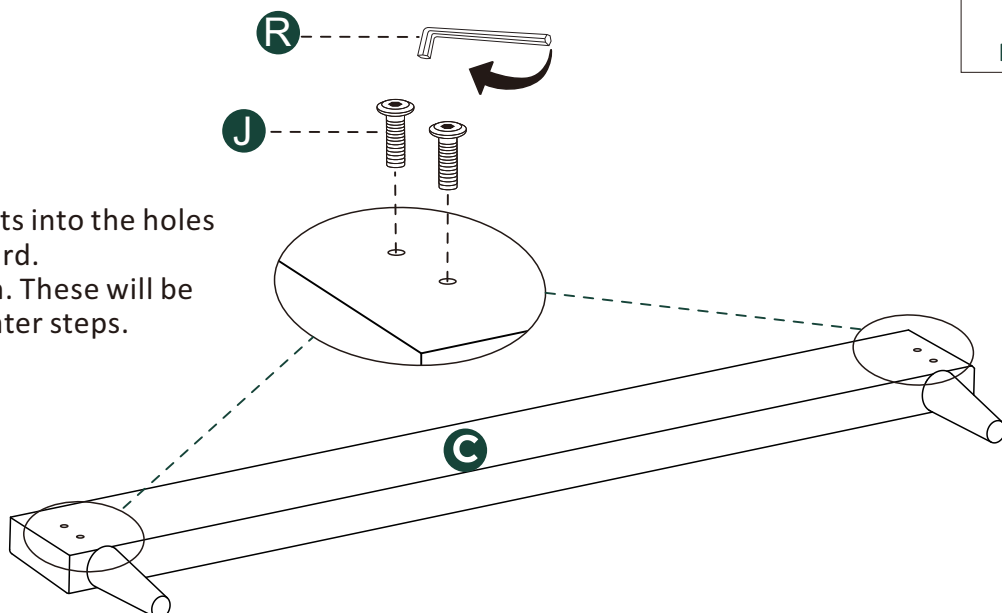


# 2

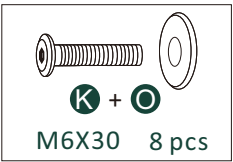
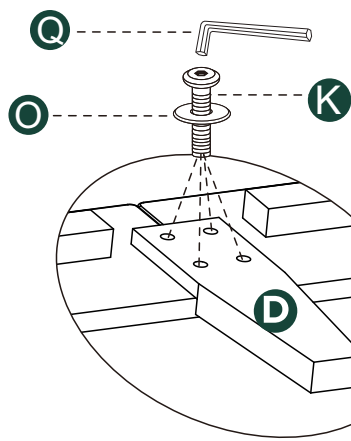


# 3

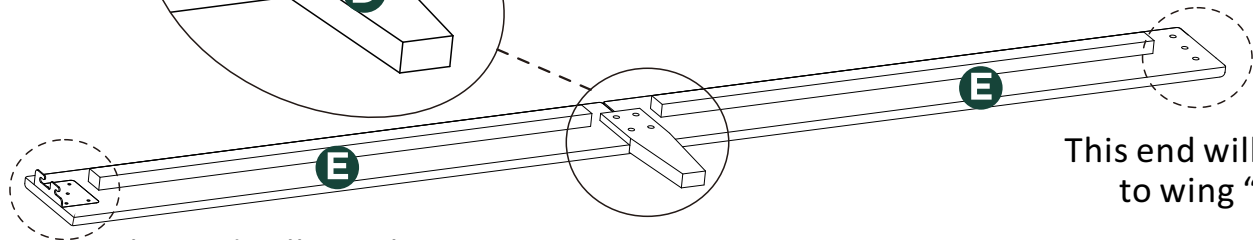
Thread "J" bolts into the holes in the footboard. Do not tighten. These will be tightened in later steps.



4



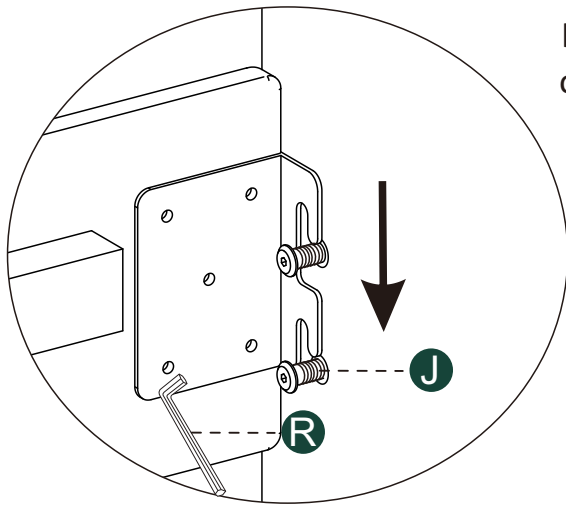
Attach "O" washers to "K" bolt. Connect the top and bottom of each side rail with a "D" side leg. Use the bolts to attach.



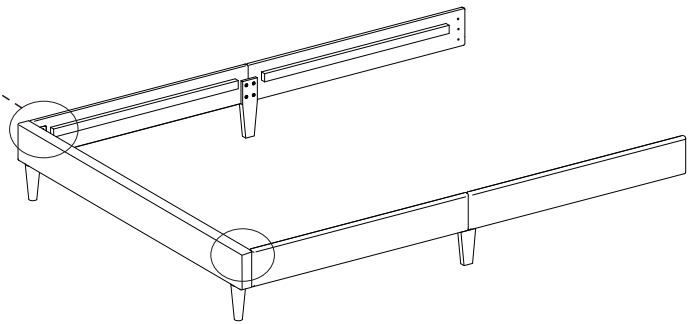
This end will attach to footboard "C"

This end will attach to wing "W"

5

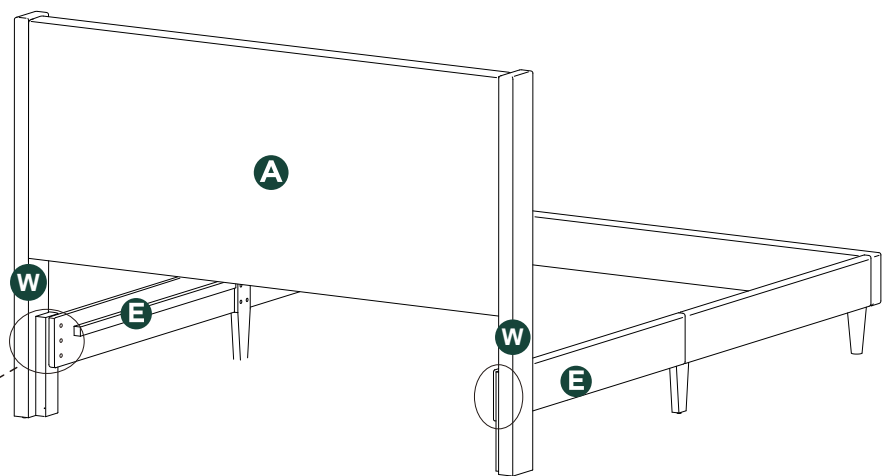
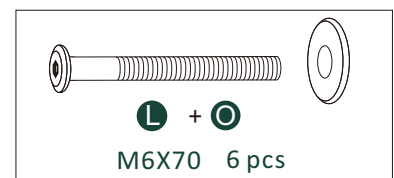
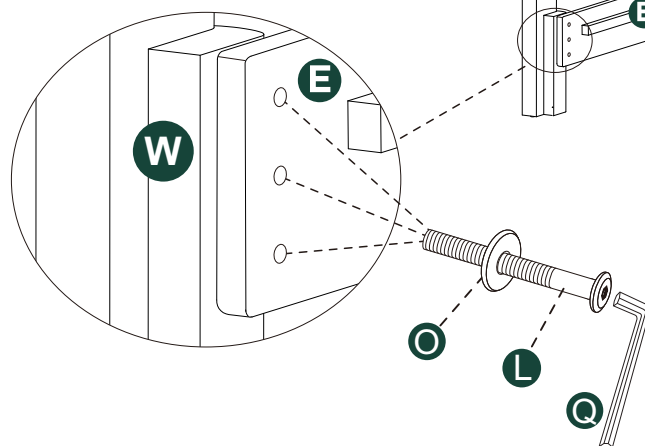


Hang the hooks at the ends of the side rails onto the "J" bolts in the footboard. Tighten the "J" bolt so the rails are secure.

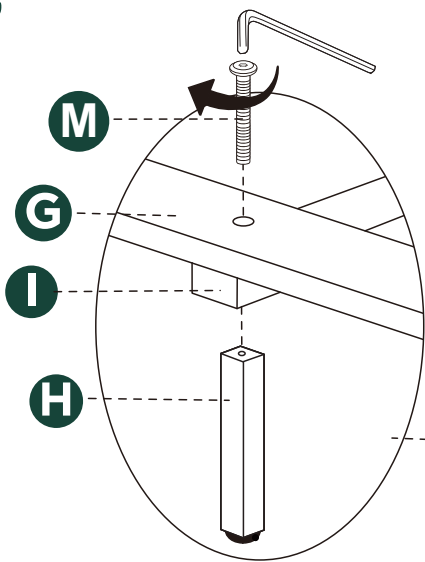


6

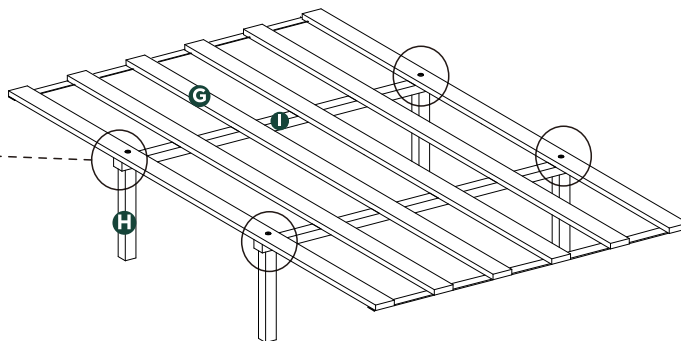
Attach "O" washer to "L" bolt. Use the "L" bolts to connect the ends of the side rails to the wings "W". Tighten the "L" bolts.



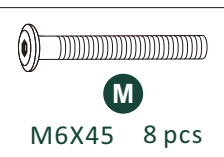
7



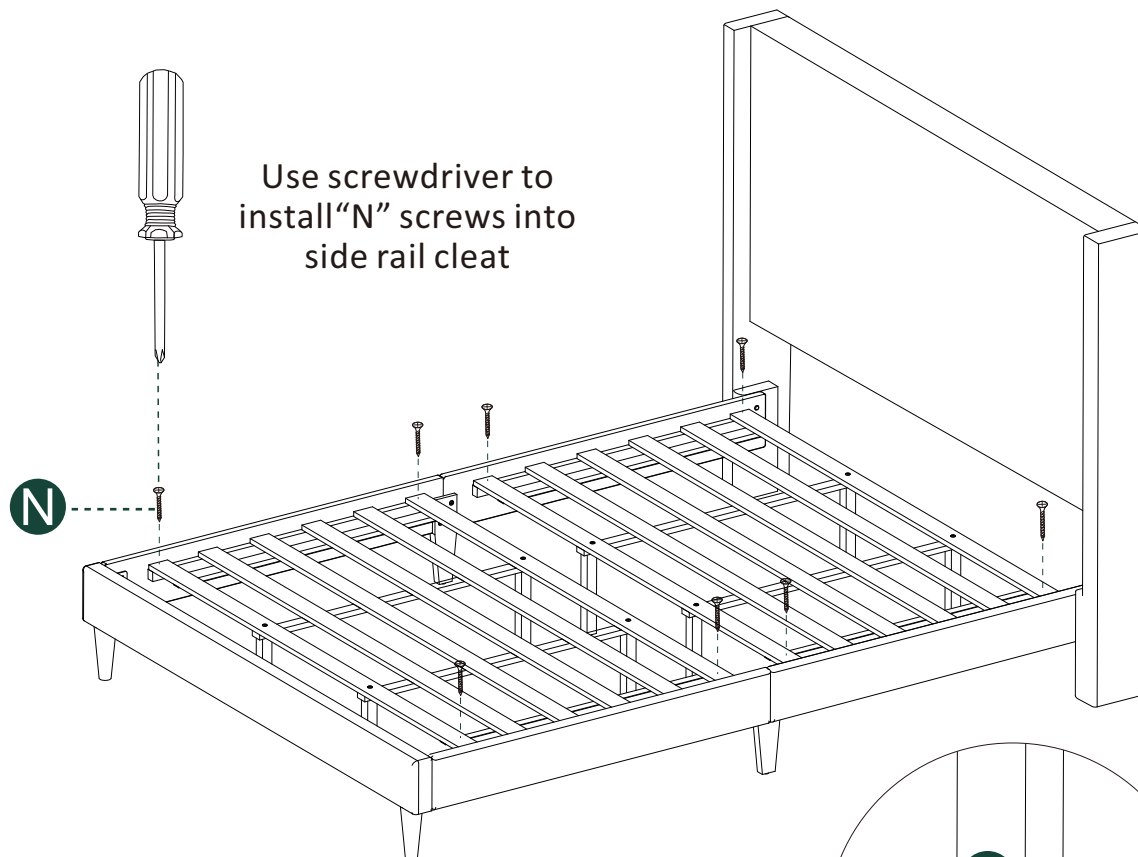
Assemble the slat system by attaching the slats to the “I” supports and “H” legs. First, extend the slats. Then, line up the holes in the slats with the holes in the “I” supports and the holes in the tops of the “H” legs. Use an “M” bolt through the holes to attach them together.



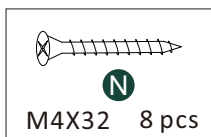
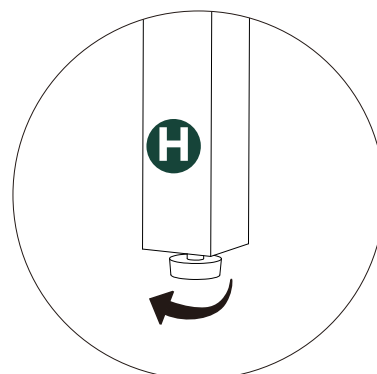
After the slat system is assembled, place the slats into the frame of the bed as shown below.



8



Finally, adjust slat leveling feet to touch floor



## **FOR ADDITIONAL HELP:**

---

Contact our support team at: [orders@rizebeds.com](mailto:orders@rizebeds.com)

Or call us at: 844-545-8865

### **CAUTION:**

Do not attempt to move the bed when fully assembled. This could result in damage to the rails, headboard, or footboard.

When placing furniture on non-carpeted flooring, we recommend the use of floor protection such as an area rug or furniture pads. Area rugs and padding not included with purchase.