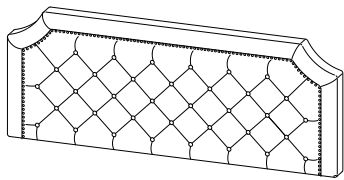


52011 FULL/QUEEN AND KING/CALIFORNIA KING HEADBOARDS

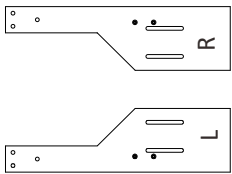
E1340106, E1340107, E1340108

E1340112, E1340113, E1340114

Components

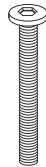


A X 1 pc



B X 1 set

Hardware



L

M6X50
6 pcs



O

M6
6 pcs



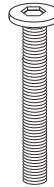
P

M6
6 pcs



Q

M4
1 pc



S

M8X60
4 pcs



T

M8
8 pcs



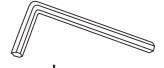
U

M8
4 pcs



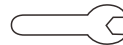
V

M8
4 pcs



R

M5
1 pc



X

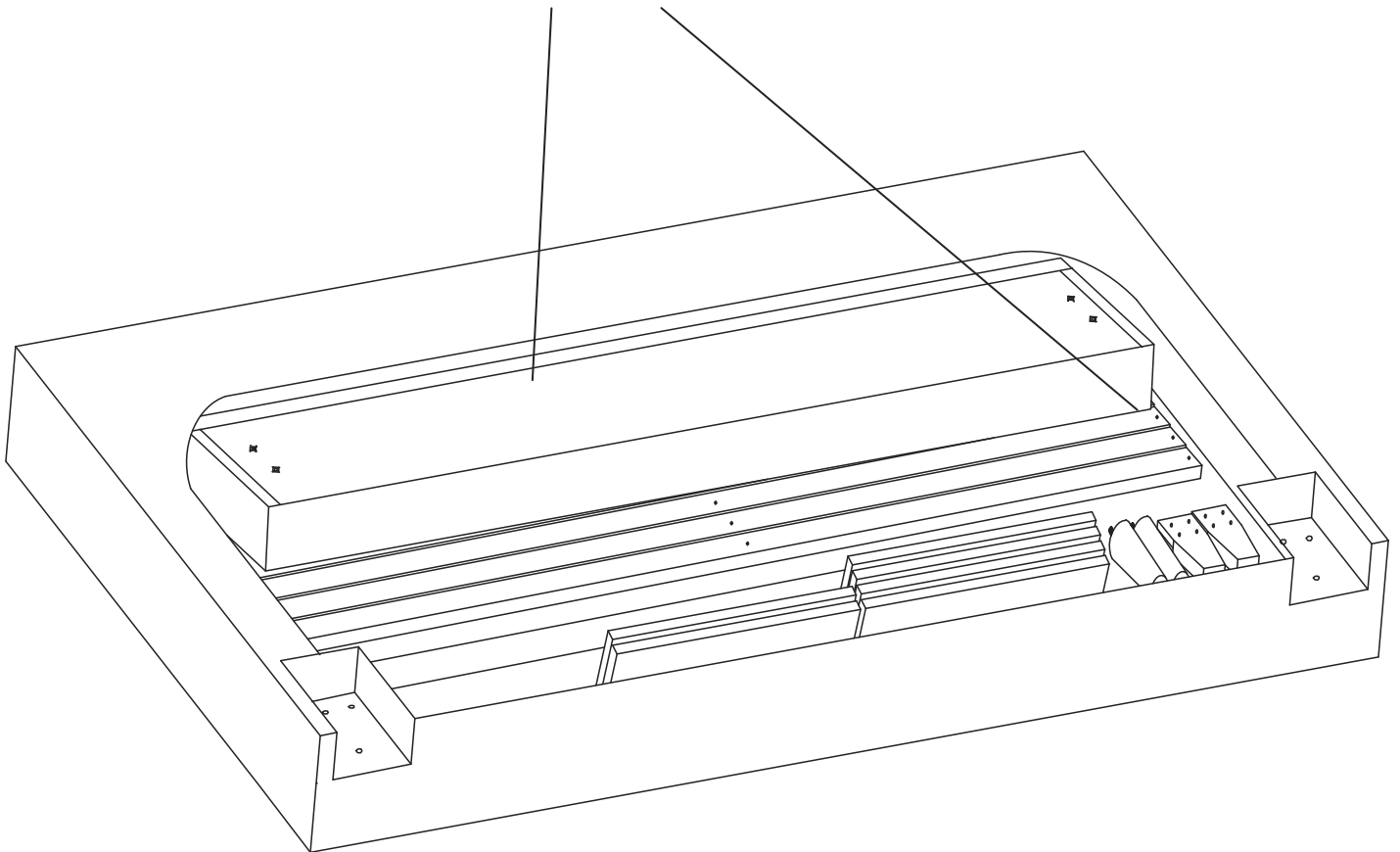
1 pcs

PLEASE CONTACT US FOR RETURNS AND OTHER QUESTIONS

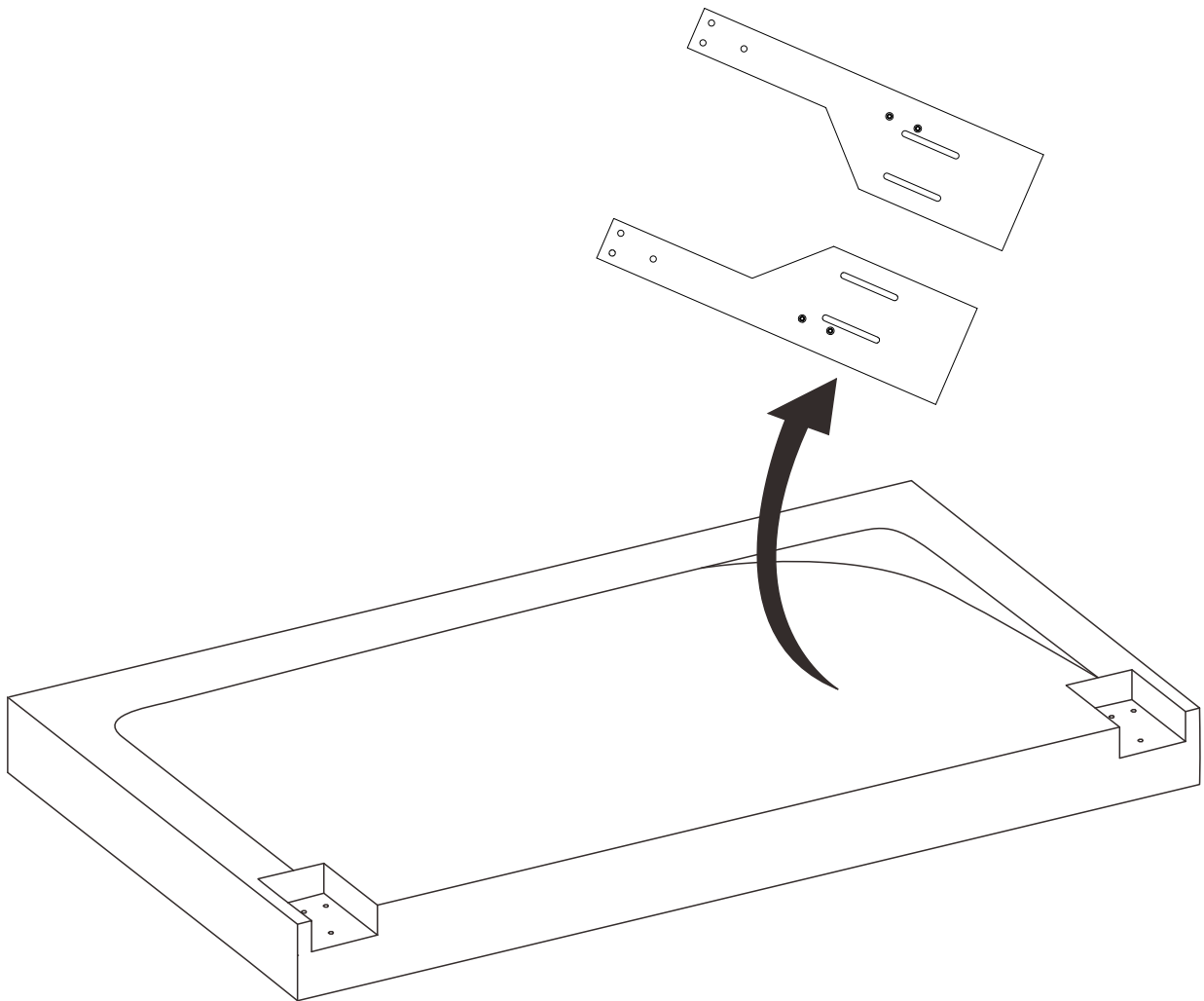
Email our support team at: orders@rizebeds.com

Or call us at: 844-545-8865

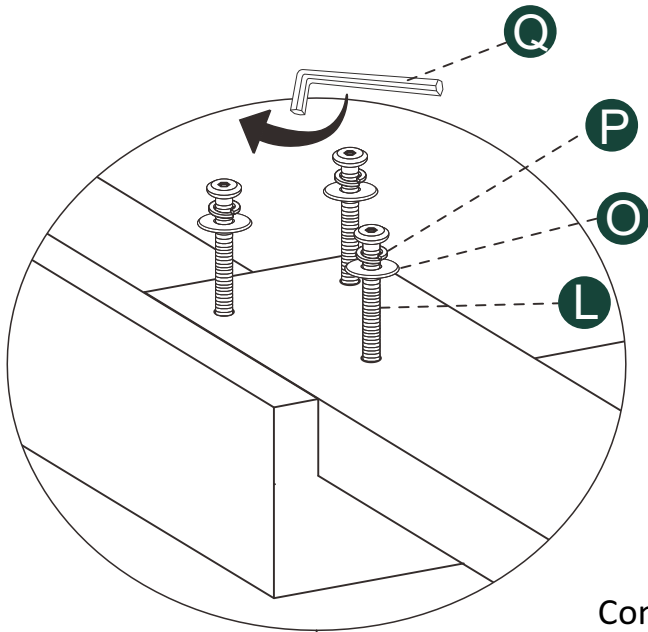
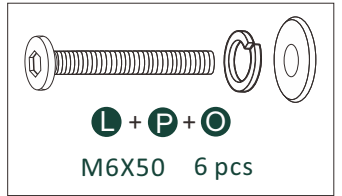
Parts are inside the headboard
in the compartment located
on the back of the headboard



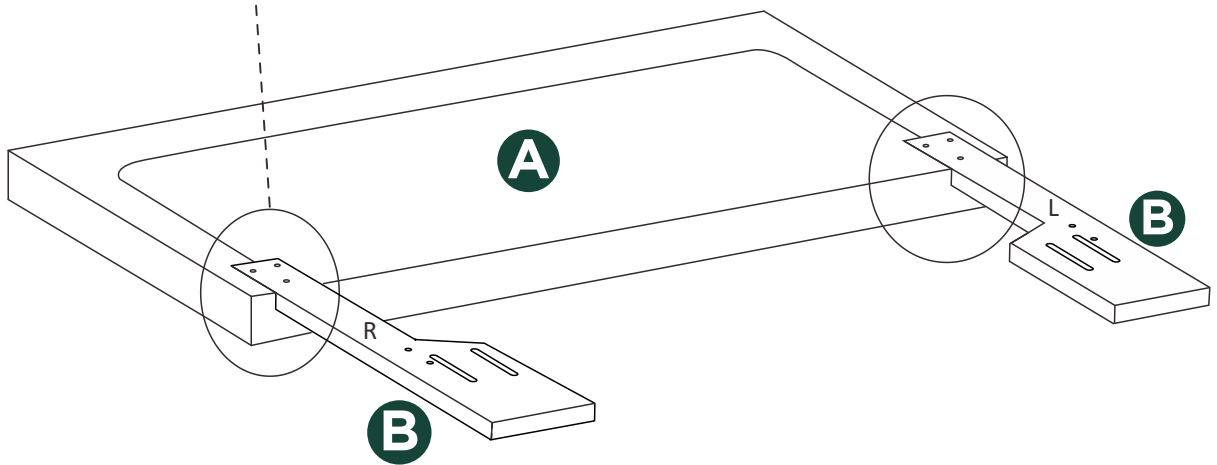
Remove parts from headboard compartment



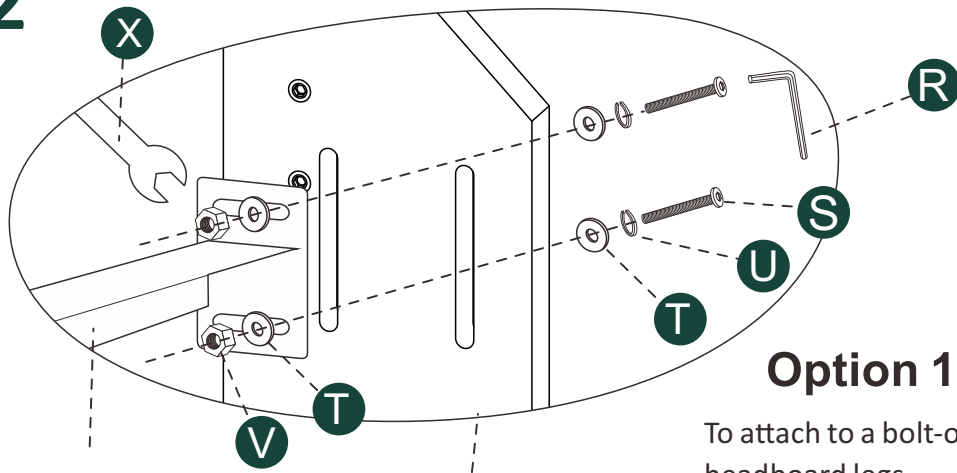
1



Attach "P" and "O" washers to "L" bolt.
Connect the leg "B" to back of headboard "A".
Use the bolts to attach.



2



Side rail of metal frame

Option 1:

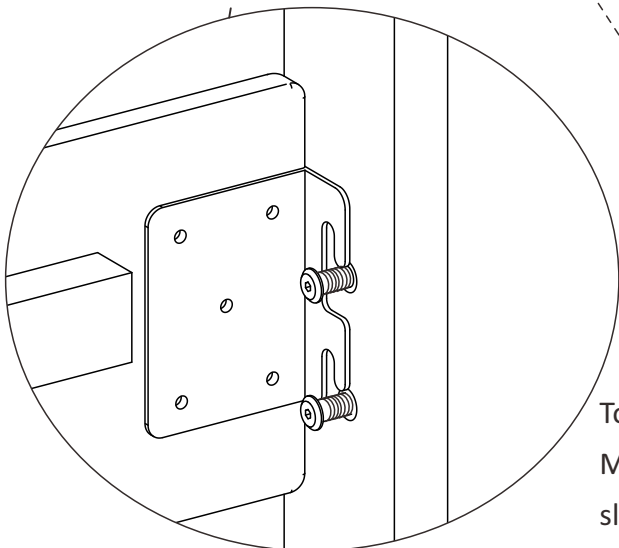
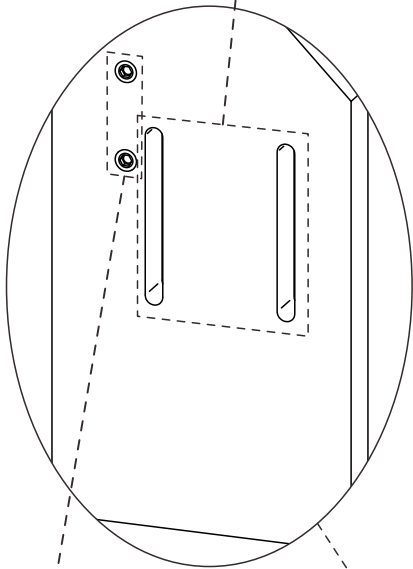
To attach to a bolt-on bed frame, use the slots in the headboard legs.

For King/California King Headboards: Use the outside slots for King size, and the inside slots for California King size.

For Full/Queen Headboards: Use the outside slots for Queen size, and the inside slots for Full size.

Attach the headboard brackets at the end of the bed frame to the slots in the headboard legs using attachment hardware. Slide "U" and "T" washers onto "S" bolts. Then, from the back side of the headboard, insert the bolts through the slots in the leg for your size bed and into the slots in the headboard bracket on the bed frame.

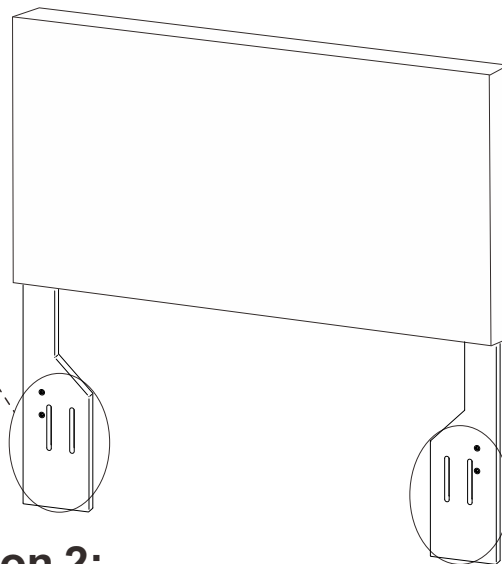
Hold the bolts steady with the "R" Allen wrench. Attach a "V" nut and "T" washer to the other side of the bolt as shown. Tighten the nut against the bed frame bracket with the "X" wrench. (Bed frame is not included.)



Option 2:

To attach hook-on side rails to the headboard, first insert 2 pcs M8 x 20 bolts (not included) into the holes on the outside of the slots of both headboard legs. Then slide the hooks on the ends of the rails over the bolts in the headboard legs.

(Attachment hardware, side rails and footboard are not included).



FOR ADDITIONAL HELP:

Contact our support team at: orders@rizebeds.com

Or call us at: 844-545-8865

CAUTION:

Do not attempt to move the bed when fully assembled. This could result in damage to the rails, headboard, or footboard.

When placing furniture on non-carpeted flooring, we recommend the use of floor protection such as an area rug or furniture pads. Area rugs and padding not included with purchase.